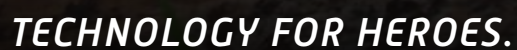


The LASCO logo is positioned at the top center of the image. It consists of the word "LASCO" in a bold, italicized, black sans-serif font, set against a bright yellow rectangular background that is slightly tilted.A small white label is affixed to the yellow machinery. It features a CE mark on the left and the word "LASCO" in black text on the right. Below the brand name, there is some smaller, less legible text.The model number "LASCO 9100" is printed vertically in large, white, bold, sans-serif letters on a grey panel of the machinery. The "LASCO" part is larger and more prominent than the "9100".The main subject of the image is a large, industrial-grade cone splitter. It has a grey upper section with a yellow top, a blue cylindrical middle section, and a large, dark grey, conical lower section with horizontal ridges. The machine is shown in a forest setting, with a large log lying horizontally in the foreground. The background is filled with lush green trees and foliage.The slogan "TECHNOLOGY FOR HEROES." is located at the bottom of the image. It is written in a white, italicized, sans-serif font. A thick yellow diagonal bar cuts across the bottom left corner of the image, partially overlapping the slogan.





THAT WE WILL SIGN

Since 1987, as a family business in Austria, we have been researching, developing, and producing high-quality machines. With one goal: to make work easier for our customers around the world.

On over 18,000 square meters of production and storage space, technically sophisticated devices are created that impress with reliability, functionality, and a favorable price-performance ratio.

As a dynamic company, we courageously drive innovations forward and always prioritize customer benefits. Because we are convinced that real innovations and ideas arise where they are needed – in practice.

We are proud of the strenuous, energy-consuming, and sometimes dangerous work our customers perform. We have the utmost respect for their commitment in a tough working environment. And we understand the enormously important contribution our customers make to a sustainable environment.


Johannes Landrichinger


Werner Landrichinger

STRUCTURE AND ADVANTAGES OF OUR CONE SPLITTERS..

- + affordable entry-level models such as Ecosplit and LASplit D1
- + large product series - suitable for all carrier vehicles
- + durable and maintains value due to two oppositely installed tapered roller bearings
- + nearly maintenance-free
- + easy connection to the carrier vehicle (no leak oil line necessary)
- + weight reduction through special cone casting shapes
- + already over 10,000 customers

+ universal mounting flange plate compatible with all excavator mounts

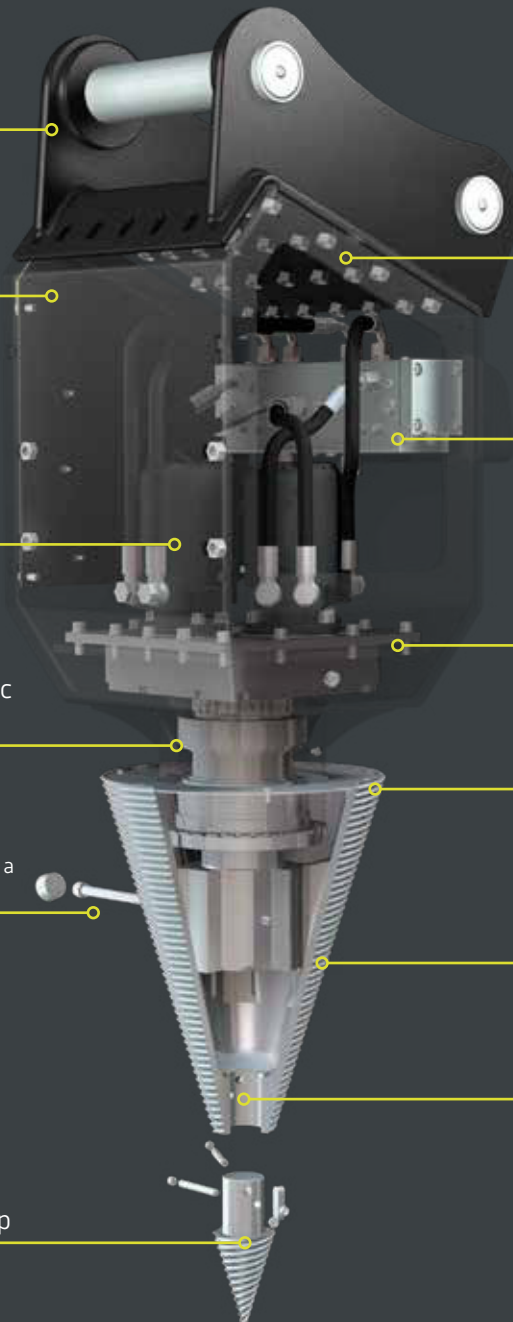
+ Extremely robust design offers maximum protection due to solid body

+ High-performance brand motors with increased longevity ensure high torque.

+ drive shaft tailored to the specific application area

+ Multiple benefits from LASCO attachments, quickly exchanged through a quick-change system.

+ hardened and replaceable cone tip



+ simple connection (forward/reverse), no leak oil line necessary

+ Additional performance optimization through distributor or valve block. Switching time adjustable from the outside.

+ even stronger due to reduced gear transmission. Professionals shift into second gear.

+ Cone diameter tailored to the application.

+ High splitting performance through enhanced performance, threaded paths, and optimized pitch of our unique splitting cone.

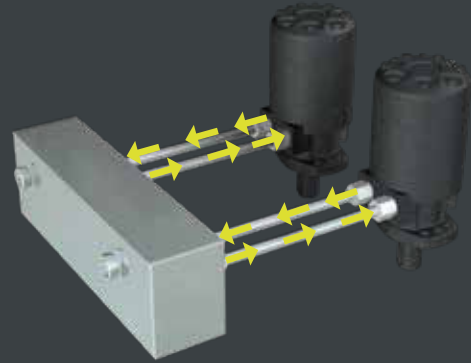
+ Significant weight reduction through cone casting shapes

OILWAYOPTIMIZED - FOR HIGH SPLITTING PERFORMANCE BECAUSE TORQUE ALONE IS NOT ENOUGH FOR US.

serial oil flow (simplified representation)



parallel oil flow (simplified representation)



From the D2 model series onwards, the oil flow of the LASCO cone splitters is optimized for the carrier devices used.

DISTRIBUTOR BLOCK (parallel oil flow):

In the distributor block, the oil flow is switched to parallel. The splitting performance is always equally fast and powerful. This variant is particularly gentle on the motor at high flow rates of the carrier device.

VALVE BLOCK (serial & parallel oil flow):

The valve block offers maximum splitting speed even at low flow rates of the carrier device. The splitting process starts in fast mode (oil flow switched serially). Under high load, the valve block switches to parallel operation. Thus, the valve block can switch the oil flow both serially and parallelly.

ADDITIONAL BENEFITS & APPLICATIONS



Splitting and handling in a single work process

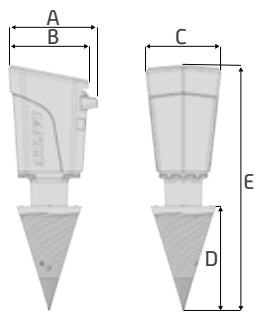


Use of front loader with Euro LASCO attachment

LASCO CONE SPLITTER

Large model range // over 10,000 satisfied customers // unique splitting performance

DIMENSIONS



LEGEND		
D1	10	21
Number of engines	Engine type	Cone diameter (cm)

EcoSplit



A	241
B	201
C	180
D	368
E	810

D1.10.21



A	375
B	335
C	319
D	365
E	960

D1.47.21 // D1.52.21 // D1.62.21



A	362
B	326
C	308
D	343
E	864

D1.10.28



A	375
B	335
C	319
D	440
E	1035

Type	Art-Nr.	Wood lengths (cm)	Wood diameter (cm)	Service weight (t)	Engine type	Oil quantity (l/min)	max. pressure	Weight
EcoSplit	117486	150 cm	50 cm	1,3-5,0 t.	47 Eco	20-70 l/min	170-190 bar	80 kg
D1.47.21	117532	200 cm	70 cm	1,3-5,0 t.	47	20-70 l/min	170-200 bar	80 kg
D1.52.21	117533	200 cm	70 cm	1,3-5,0 t.	52	20- 80 l/min	200-270 bar	80 kg
D1.62.21	117534	200 cm	70 cm	1,3-5,0 t.	62	30- 80 l/min	170-220 bar	80 kg
D1.10.21	117535	300 cm	90 cm	2,0-8,0 t.	10	40-150 l/min	170-200 bar	120 kg
D1.10.28	117536	300 cm	100 cm	2,0-7,0 t.	10	40-150 l/min	170-200 bar	130 kg
D1.52.28	133986	300 cm	90 cm	2,0-7,0 t.	52	30- 80 l/min	170-270 bar	135 kg
D1.62.28	133987	300 cm	90 cm	2,0-7,0 t.	62	30- 80 l/min	170-200 bar	135 kg

D1.52.28 // D1.62.28



A	438
B	350
C	353
D	462
E	1073

D2.52.40 // D2.62.40
D3.52.40 // D3.62.40



A	578
B	478
C	465
D	641
E	1395

D4.52.60 // D4.62.60



D2.52.28 // D2.62.28



A	438
B	350
C	353
D	462
E	1073

D4.52.40 // D4.62.40



A	562
B	429
C	473
D	641
E	1453

A	562
B	429
C	473
D	1062
E	1848

Type	Art-Nr.	Wood lengths [cm]	Wood diameter [cm]	Service weight (t)	Engine type	Oil quantity (l/min)	max. pressure	Weight
D2.52.28	133988 ¹ 133989 ²	400 cm	90 cm	3,0-8,0 t	52	50-150 l/min ¹ 50-80 l/min ²	200-270 bar	135 kg
D2.62.28	133990 ¹ 133991 ²	400 cm	90 cm	3,0-8,0 t	62	50-150 l/min ¹ 50-80 l/min ²	170-220 bar	135 kg
D2.52.40	130705 ¹ 130706 ²	500 cm	110 cm	5,0-15,0 t	52	80-180 l/min ¹ 80-180 l/min ²	200-270 bar	400 kg
D2.62.40	130707 ¹ 130708 ²	500 cm	110 cm	5,0-15,0 t	62	80-180 l/min ¹ 80-180 l/min ²	170-220 bar	400 kg
D3.52.40	130709 ¹ 130710 ²	500 cm	150 cm	7,0-19,0 t	52	90-220 l/min ¹ 90-120 l/min ²	200-270 bar	400 kg
D3.62.40	130711 ¹ 130712 ²	500 cm	150 cm	7,0-19,0 t	62	90-220 l/min ¹ 90-120 l/min ²	170-220 bar	400 kg
D4.52.40	130575 ¹ 130662 ²	700 cm	200 cm	10-25 t	52	120-300 l/min ¹ 120-300 l/min ²	200-270 bar	600 kg
D4.62.40	130658 ¹ 130670 ²	700 cm	200 cm	10-25 t	62	120-300 l/min ¹ 120-300 l/min ²	170-220 bar	600 kg
D4.52.60	130739 ¹ 130742 ²	700 cm	200 cm	10-25 t	52	120-300 l/min ¹ 120-300 l/min ²	200-270 bar	600 kg
D4.62.60	130740 ¹ 130743 ²	700 cm	200 cm	10-25 t	62	120-300 l/min ¹ 120-300 l/min ²	170-220 bar	600 kg

Designation: 1) Distribution block, 2) Valve block

ATTACHMENTS & MOUNTING SOLUTIONS

MORE POSSIBILITIES

With LASCO attachments, the LASCO cone splitter becomes a universally applicable machine.

Switching between the individual attachments is lightning fast and very simple thanks to the quick-change system. A real added value.



LASCO ROTARY CULTIVATOR

The LASCO rotary cultivator is used for loosening soil or for removing root systems (tines made of high-strength steel, \varnothing 500 mm).

Art-Nr.	Designation
117548	Rotary cultivator \varnothing 500 mm
117547	Rotary broom \varnothing 1200 mm
117545	Weed brush \varnothing 600 mm
117537	LASCO earth auger \varnothing 100 x 1200 mm
117539	LASCO earth auger \varnothing 150 x 1200 mm
117540	LASCO earth auger \varnothing 200 x 1200 mm
117541	LASCO earth auger \varnothing 300 x 1200 mm
117543	LASCO earth auger \varnothing 400 x 1200 mm
117546	LASCO Stump grinder \varnothing 275 mm
117544	Adapter for attachments
117510	Mobile plate for log splitters (D1)
117505	Euro mount including boom for log splitters



LASCO STUMP GRINDER

The LASCO stump grinder is ideal for reforestation efforts to prepare the soil in the forest for replanting (\varnothing 275 mm, 9 hardened, double-sided usable blades, blades are resharpenable).



LASCO ROTARY BROOM

Powered by a LASCO log splitter, the rotary broom reliably cleans cobblestones, sidewalks, and driveways (ø 1200 mm).



LASCO WEED BRUSH

Removes weeds and wild growth on cobblestones or sidewalk edges (40 brush heads, wear-resistant and replaceable brushes, ø 600 mm).



LASCO AUGER

The LASCO earth augers come standard with carbide teeth and a swivel joint (various drill diameters: 100mm, 150mm, 200mm, 300mm, 400mm, length 1200 mm).



ATTACHMENT ADAPTERS

The attachments for the LASCO log splitter are compatible with older generations of log splitters with this adapter.



MOBILE PLATE FOR THE LOG SPLITTER

The mobile plate is designed to perform splitting work, weighted with a support leg of the forwarding trailer.

Unlike the fixed installation, the plate with the log splitter mounted can also be rented out, making it an ideal addition to a forestry community.



EURO MOUNT FOR LOG SPLITTERS

This mounting frame can be delivered with all small LASCO D1 log splitters. The Euro mount can be equipped with or without a boom. In addition to log splitters, the Euro mount is also used for LASCO log grapples.

LEADING MANUFACTURERS OF WOOD CHIPPERS

They choose LASCO log splitters as their original equipment manufacturer.



Our customers appreciate the combination of highway approval and high off-road capability of our wood chipper Diamant 2000, as it reduces setup times. Another advantage is the flexible adjustment of the wood chip size.

The LASCO log splitter has proven itself as an essential tool. Oversized logs are easily pre-split with the splitter.

THOMAS MAYER, SALES



The Lasco log splitter is excellent for reducing oversized logs sufficiently to complete a job for a HEIZOHACK wood chipper. The diameter of the wood is irrelevant in this process.

The wood chipper can continue operating while using the Lasco log splitter since the feed flap does not need to be raised for the splitting process. This saves costs and reduces the idle time of the machine.

NIKOLAUS ECKSTEIN, HEIZOMAT GMBH



In the context of the central blower of our chipper trucks, we needed a lightweight, highly efficient splitter that can also be easily stored on the truck due to limited space.

The combination of a JENZ Chipper Truck with a central blower and a powerful Lasco log splitter significantly expands the machine's range of applications and represents a highly flexible overall package.

UWE HEMPEN-HERMEIER, JENZ GMBH



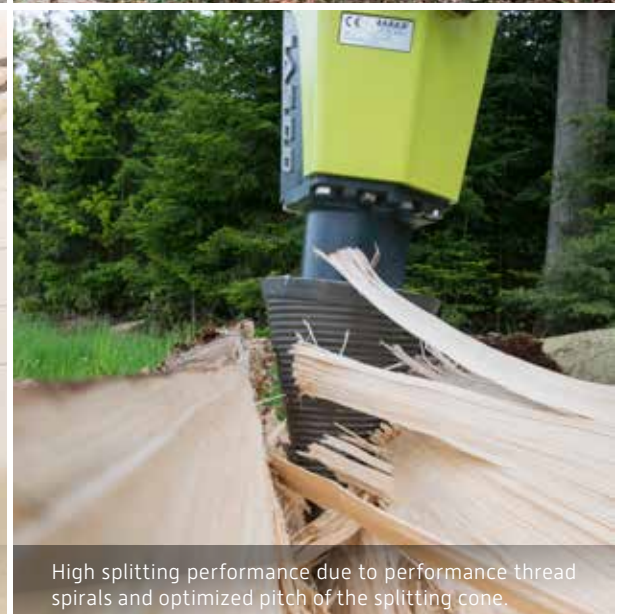
© JENZ GmbH



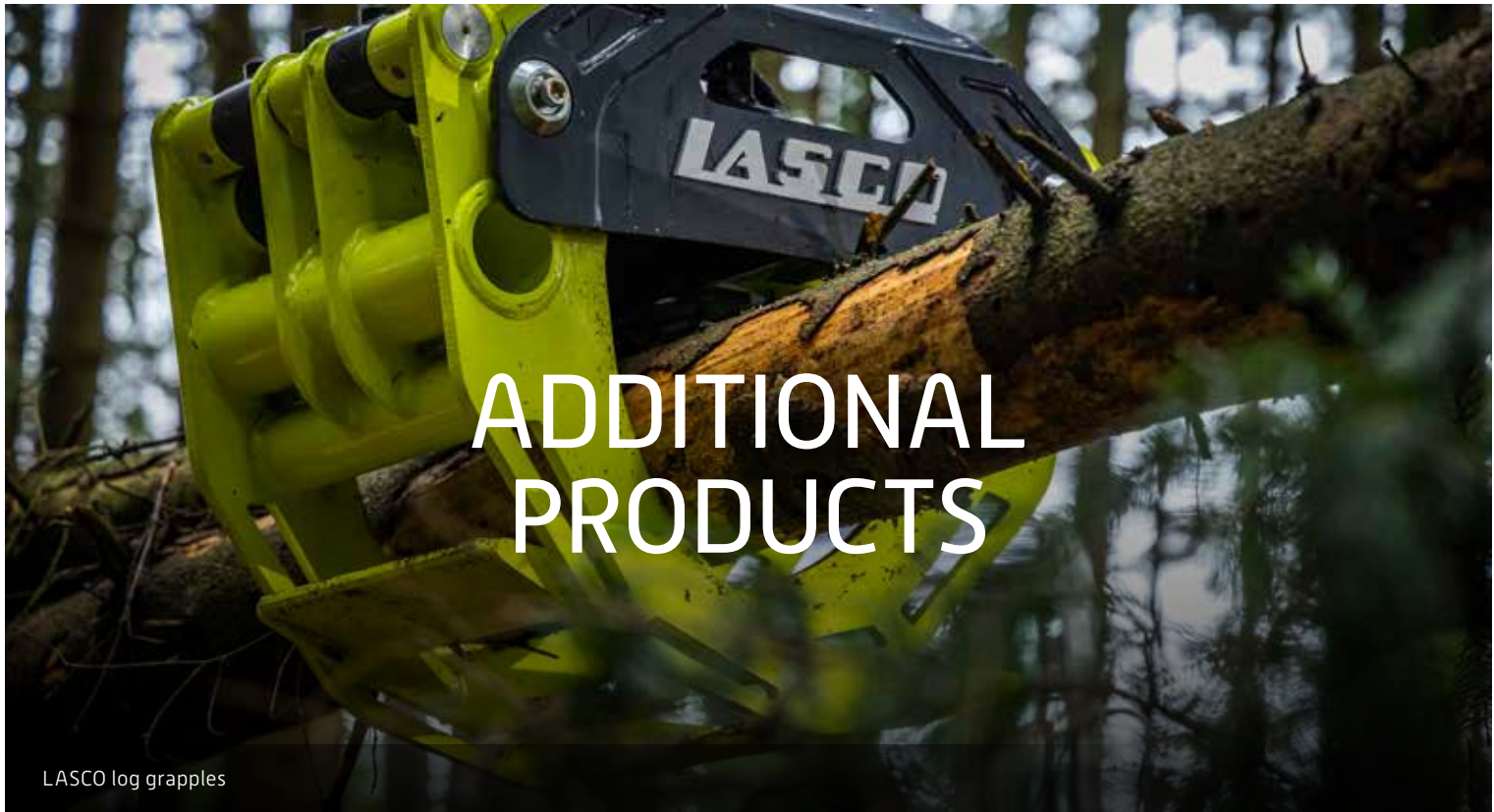
© Heizomat GmbH



© Albach Maschinenbau GmbH



High splitting performance due to performance thread spirals and optimized pitch of the splitting cone.



ADDITIONAL PRODUCTS

LASCO log grapples



LASCO Duoskorp - 2-in-1-Kombi



LASCO Triskorp - 3-in-1-Kombi



LASCO Drying systems (Wood, grain, corn, hay)



LATherm biomass hot air heater



LASCO



LASCO

LASCO Heutechnik GmbH
Lascostraße 1, A-4891 Pöndorf | Telefon: +43 (0)7684 / 21666-0
E-Mail: office@lasco.at | www.lasco.at

132580 | Version B | As of 2024
Subject to changes, errors, as well as printing and typesetting mistakes. Images and drawings are schematic.