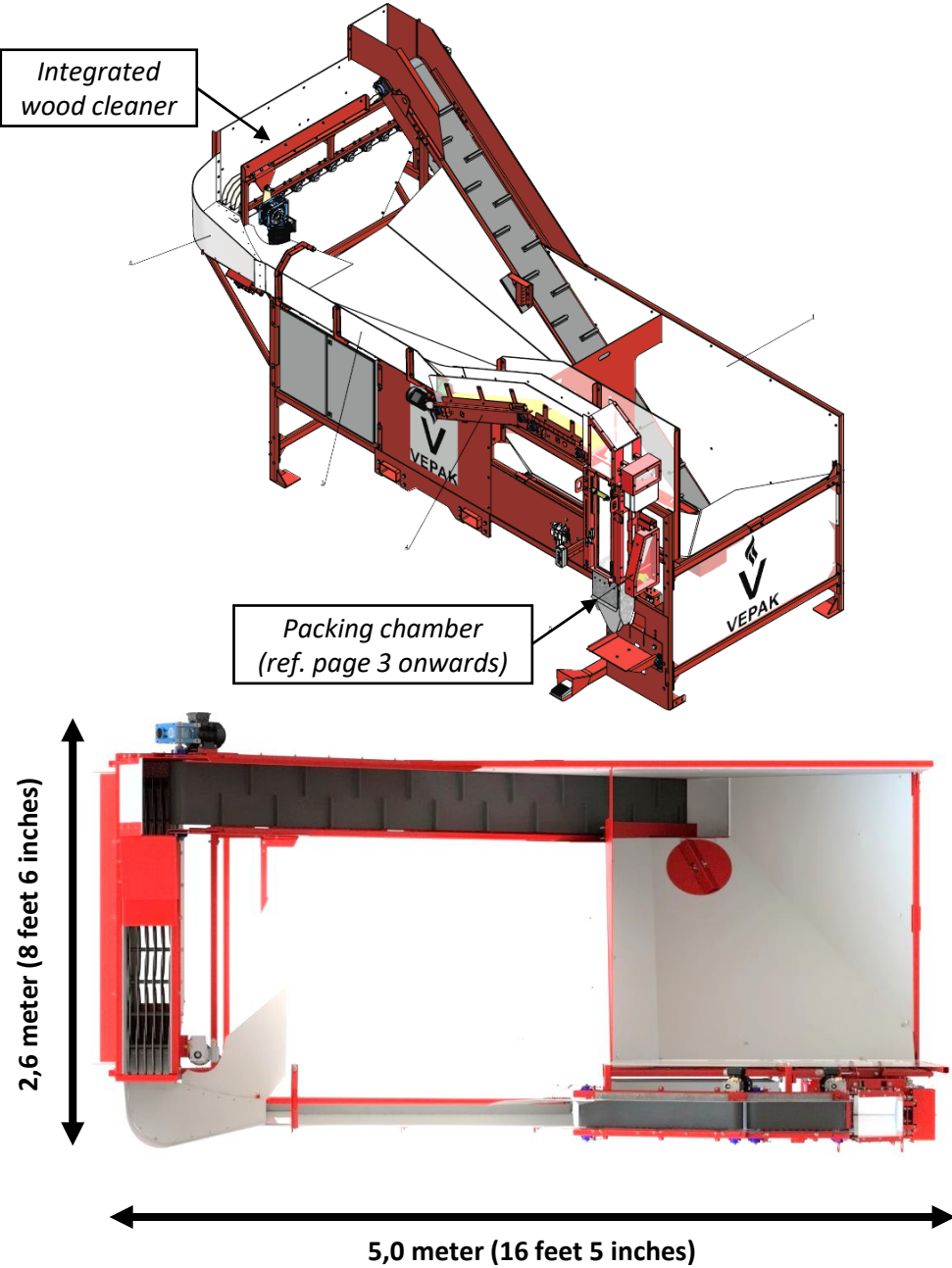


VEPAK Firewood Packing Machine

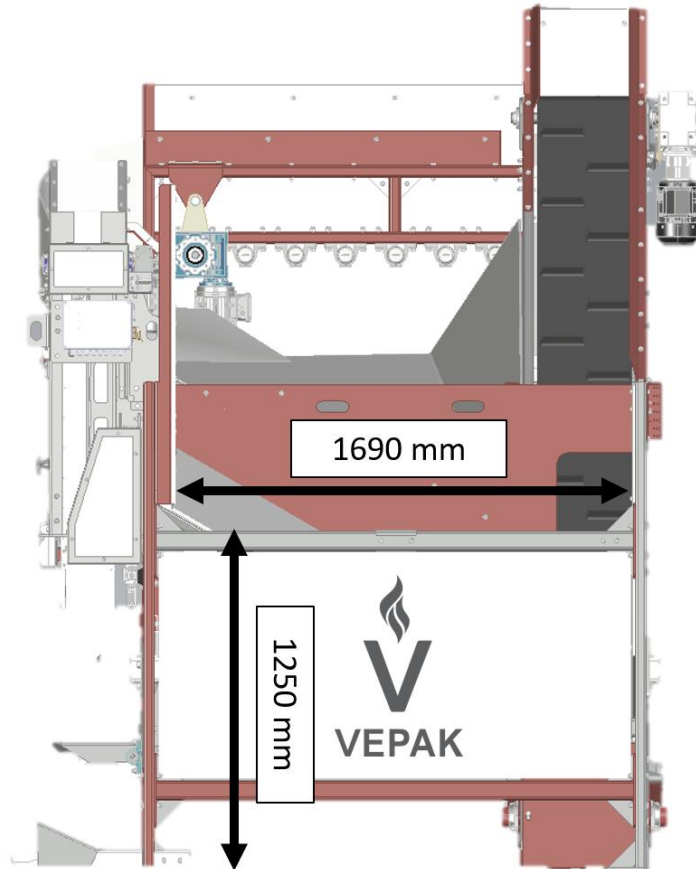


Technical data

Power supply	200-240V AC, 1-phase, 16A + external air
Max consumption	3,6 kW
Air supply*	100L/min at 6 bar (27 gallons/minute at 6 bar)
Dry weight	2300 kg (5000 lbs)
Height	3,2 meter (10 feet 6 inches)
Shipping height	2,6 meter (8 feet 7 inches)
Other	Integrated wood cleaner separate loose material less than 3 cm (1 inch) in diameter
Patents	US10035611B2, CA2958734A1

*Compressor not included

VEPAK Firewood Packing Machine



Technical data

Power supply	200-240V AC, 1-phase, 16A + external air
Max consumption	3,6 kW
Air supply*	100L/min at 6 bar (27 gallons/minute at 6 bar)
Dry weight	2300 kg (5000 lbs)
Height	3,2 meter (10 feet 6 inches)
Shipping height	2,6 meter (8 feet 7 inches)
Other	Integrated wood cleaner separate loose material less than 3 cm (1 inch) in diameter
Patents	US10035611B2, CA2958734A1

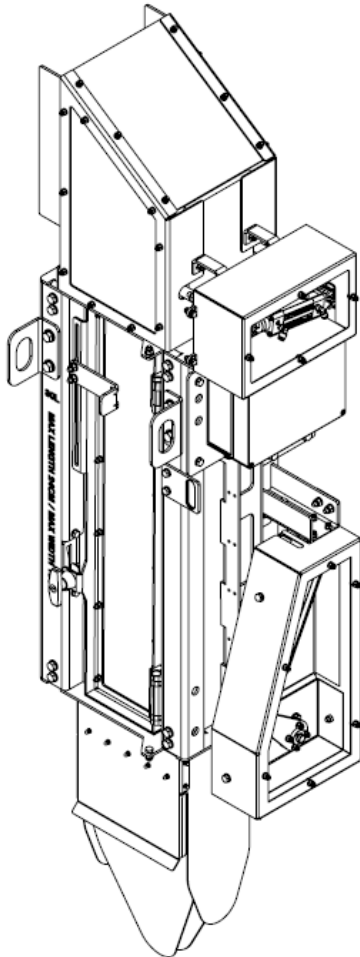
**Compressor not included*

Packing Chamber size options



Max Log length		20 cm (8 inch)	24 cm (9 ½ inch)	30 cm (11 ½ inch)	30 cm (11 ½ inch)	33 cm (13 inch)
Requirements	Minimum bag perimeter (flat measure of width)	43 cm x 2 (17 inch x 2)	43 cm x 2 (17 inch x 2)	50 cm x 2 (19 ½ inch x 2)	60 cm x 2 (23 ½ inch x 2)	60 cm x 2 (23 ½ inch x 2)
	Actual inner length of box	22,5 cm (9 inch)	26,0 cm (10 inch)	32 cm (12 ½ inch)	32 cm (12 ½ inch)	35 cm (13 ½ inch)
	Max log diameter	14 cm (5 ½ inch)	14 cm (5 ½ inch)	14 cm (5 ½ inch)	14 cm (5 ½ inch)	14 cm (5 ½ inch)

Packing chamber for 20 cm logs in 45x60 cm bags

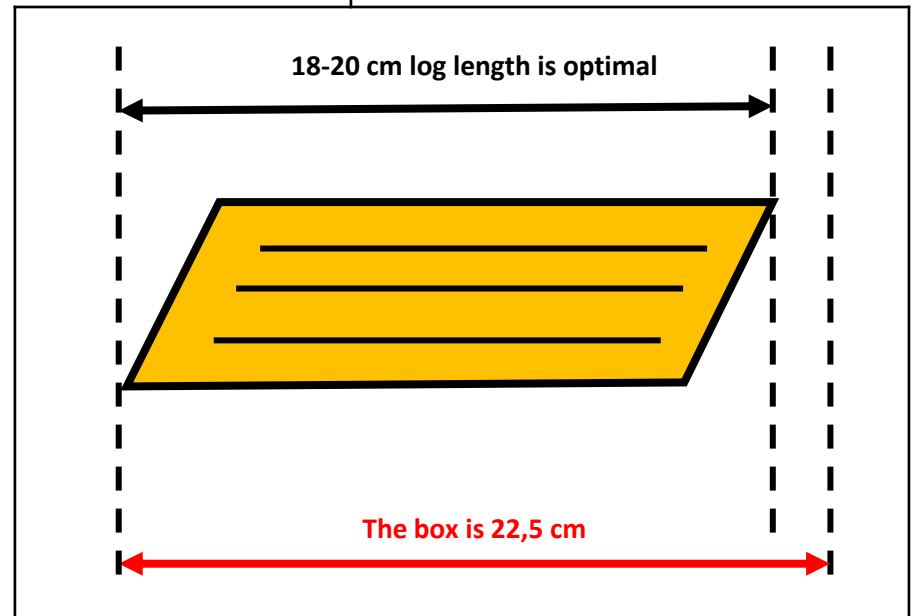


Max Log Length: 20 cm (8 inch)

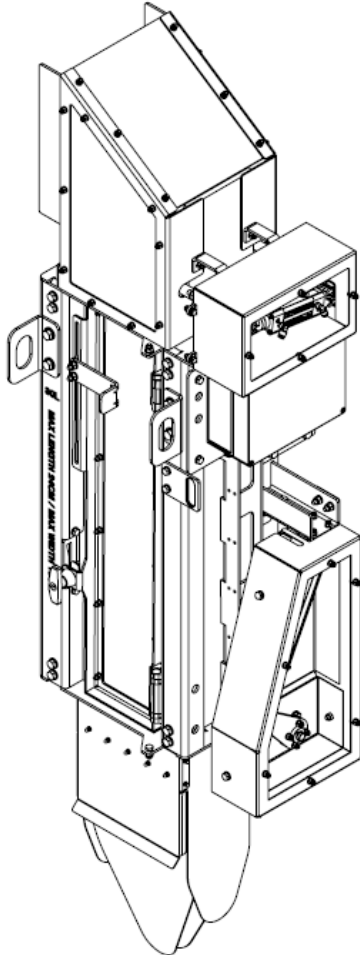
Minimum bag perimeter (flat measure of width):	43 cm x 2 (17 inch x 2)
---	-------------------------

Actual inner length of box:	22,5 cm (9 inch)
------------------------------------	------------------

Max log diameter:	14 cm (5 ½ inch)
--------------------------	------------------



Packing chamber for 24 cm logs in 45x60 cm bags

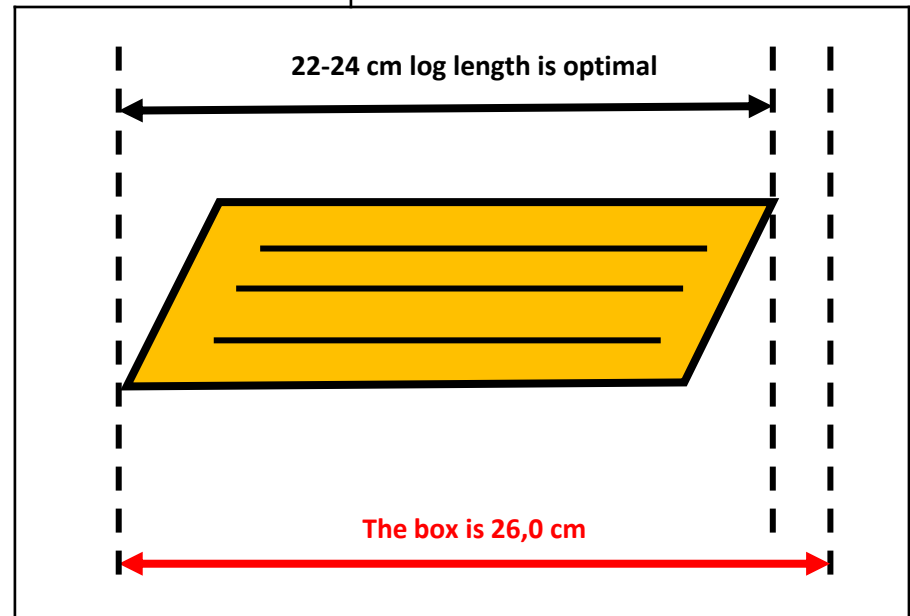


Max Log Length: 24 cm (9 ½ inch)

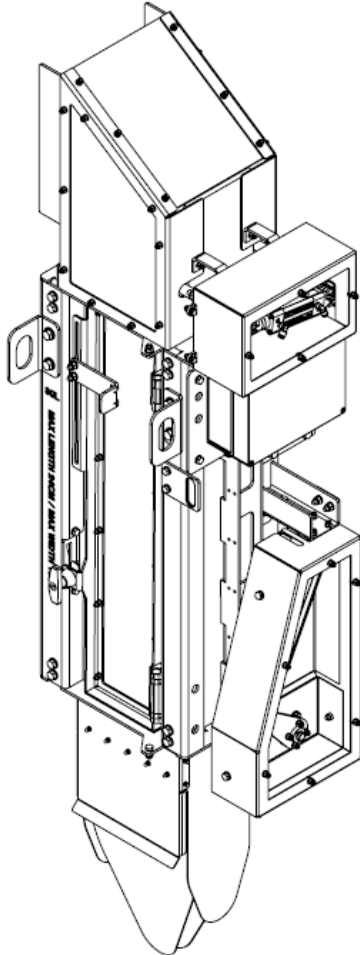
Minimum bag perimeter (flat measure of width):	43 cm x 2 (17 inch x 2)
---	-------------------------

Actual inner length of box:	26,0 cm (10 inch)
------------------------------------	-------------------

Max log diameter:	14 cm (5 ½ inch)
--------------------------	------------------

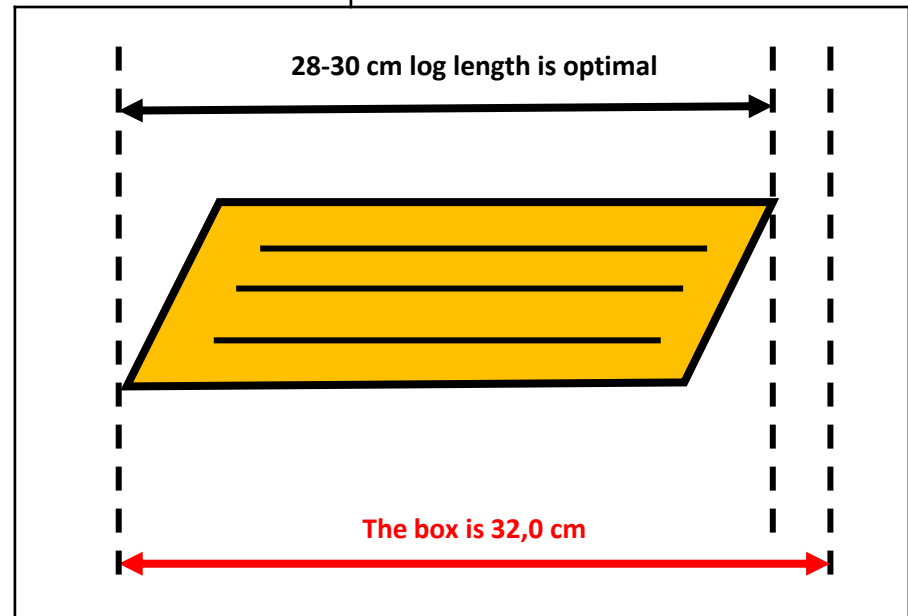


Packing chamber for 30 cm logs in 50x72 cm bags ("40L-bags")

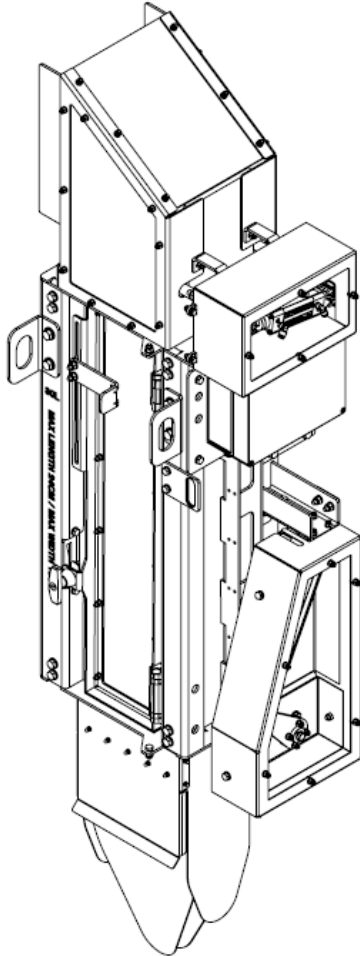


Max Log Length: 30 cm (11 ½ inch)

Minimum bag perimeter (flat measure of width):	50 cm x 2 (19 inch x 2)
Actual inner length of box:	32,0 cm (12 ½ inch)
Max log diameter:	14 cm (5 ½ inch)

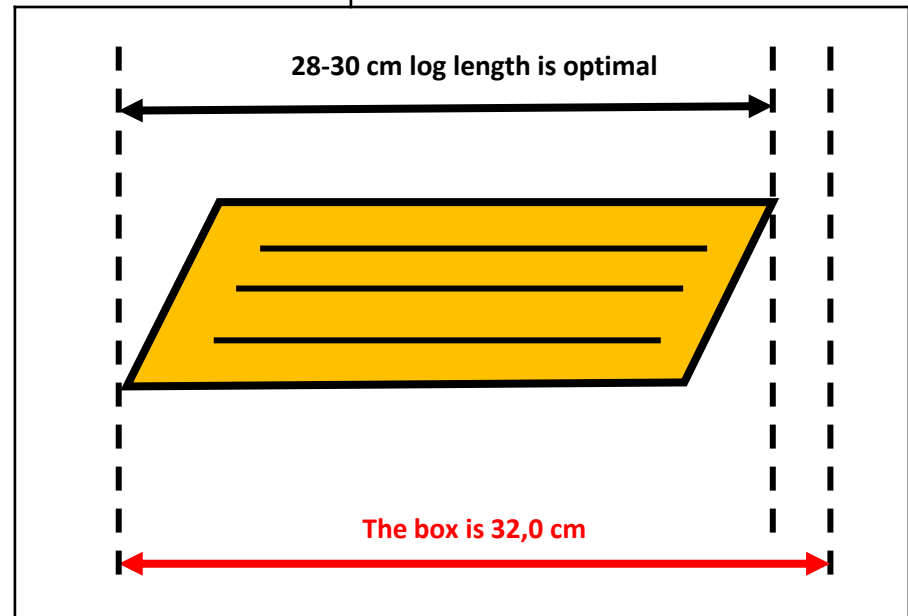


Packing chamber for 30 cm logs in 60x80 cm bags ("60L-bags")

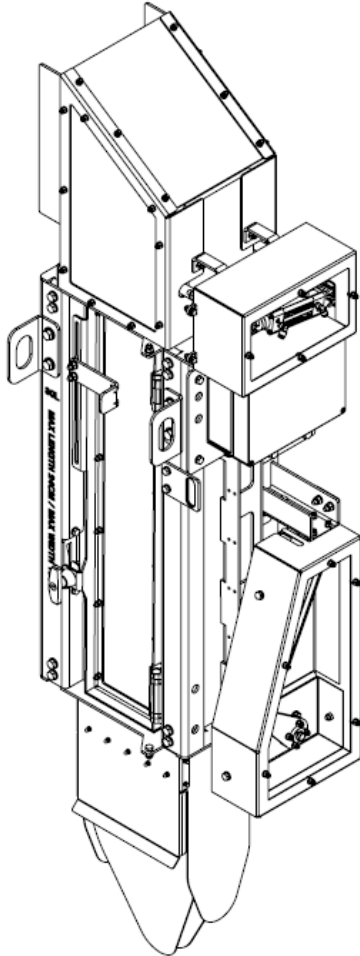


Max Log Length: 30 cm (11 ½ inch)

Minimum bag perimeter (flat measure of width):	60 cm x 2 (23 ½ inch x 2)
Actual inner length of box:	32,0 cm (12 ½ inch)
Max log diameter:	14 cm (5 ½ inch)



Packing chamber for 33 cm logs in 60x80 cm bags

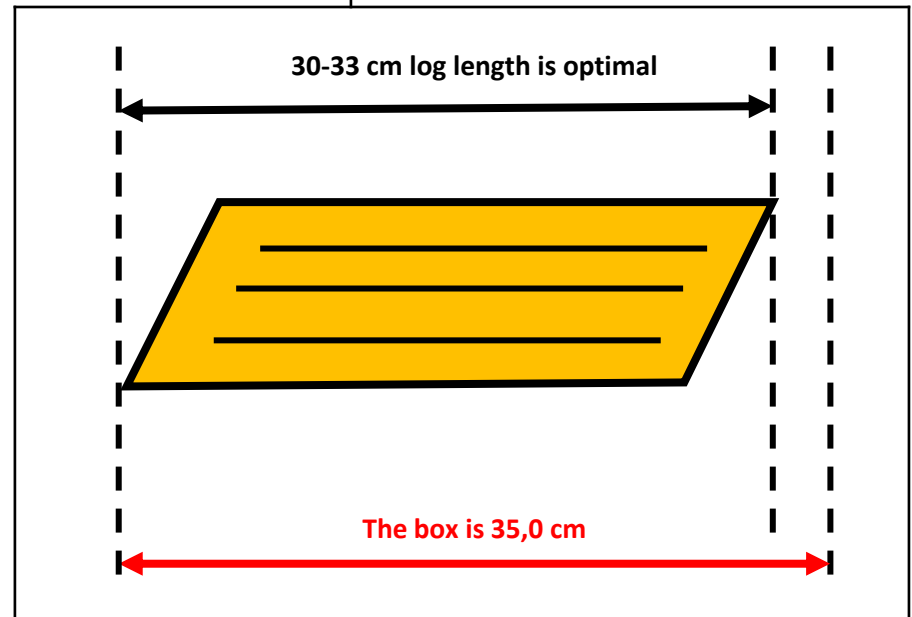


Max Log Length: 33 cm (13 inch)

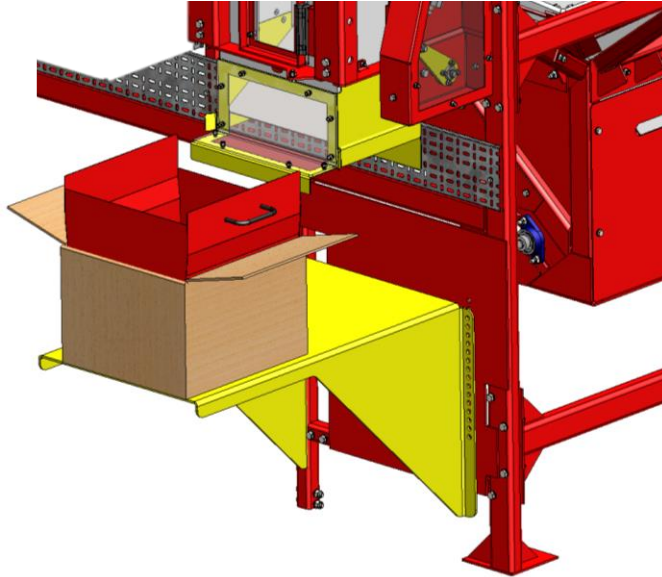
Minimum bag perimeter (flat measure of width):	60 cm x 2 (23 ½ inch x 2)
---	---------------------------

Actual inner length of box:	35,0 cm (13 ½ inch)
------------------------------------	---------------------

Max log diameter:	14 cm (5 ½ inch)
--------------------------	------------------

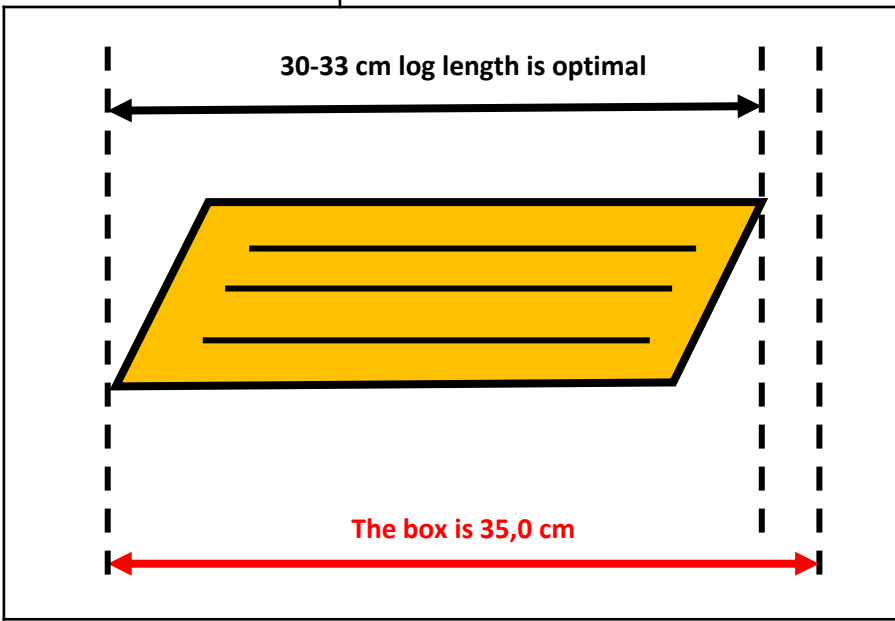


Adaptor kit for 33 cm logs in 38x38x28 cm carton boxes



Max Log Length: 33 cm (13 inch)

Carton box length:	38 cm (15 inch)
Carton box width:	38 cm (15 inch)
Carton box height:	28 cm (11 inch)



Contact info



ForestQuip

John Hansen

Phone: +61 496 8532

E-mail: info@forestquip.co.nz

Web: www.vepak.no