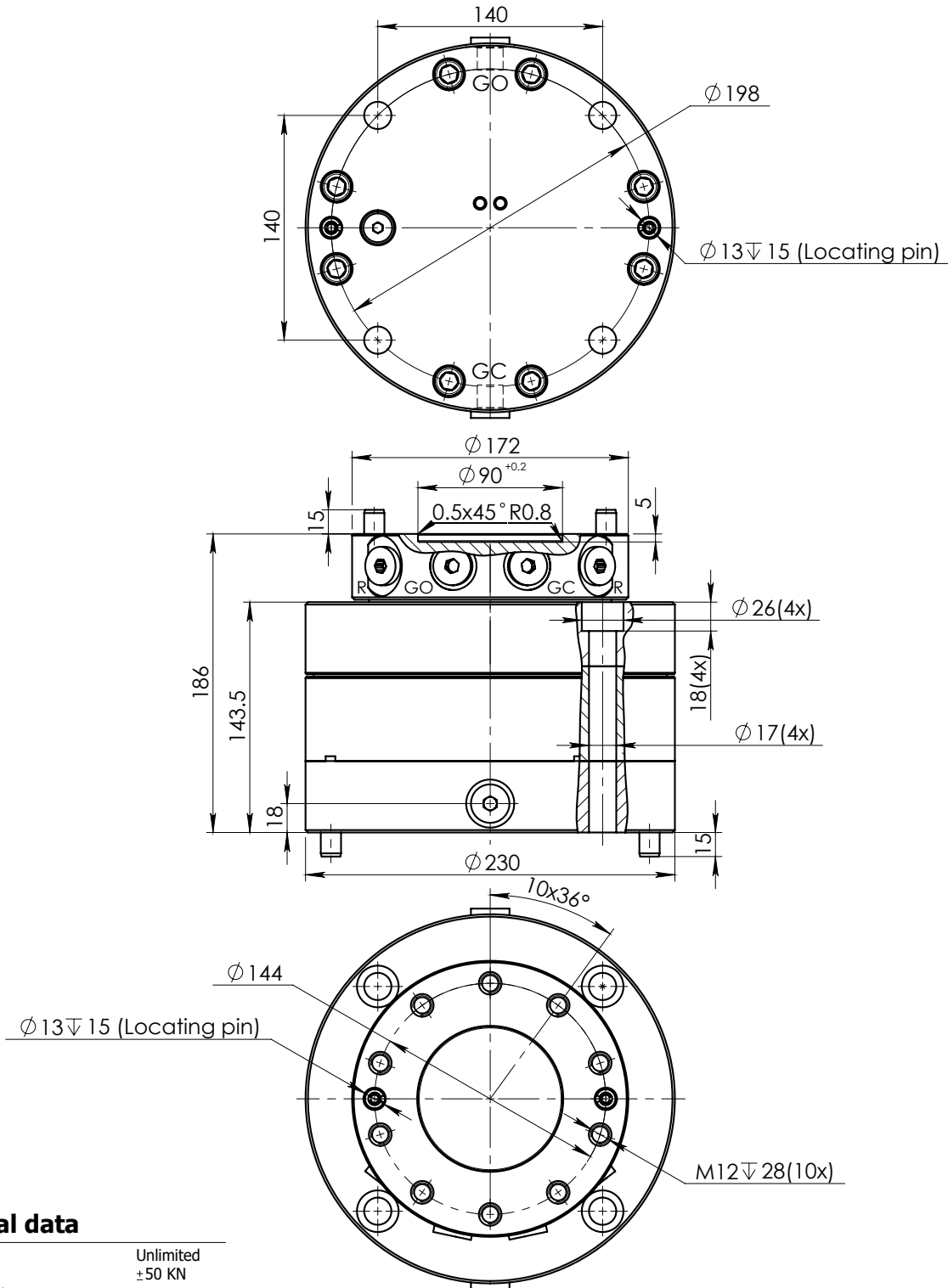


INDUSTRIAL ROTATOR CPR5



Technical data

Rotation	Unlimited
Max axial load	± 50 KN
Max radial load	36 KN
Torque at 25 Mpa	1350 Nm
Rated displacement	354 cm ³ /rev.
Rotation speed	max 30 rpm
Oil duct area for grapple	95 mm ²
Weight	46 kg

Function	Max working pressure	Rec oilflow	Connection
R - rotation	25 MPa*	15 l/min	M 18x1.5
GO - grapple/tool open	35 MPa		M 18x1.5
GC - grapple/tool close	35 MPa		M 18x1.5

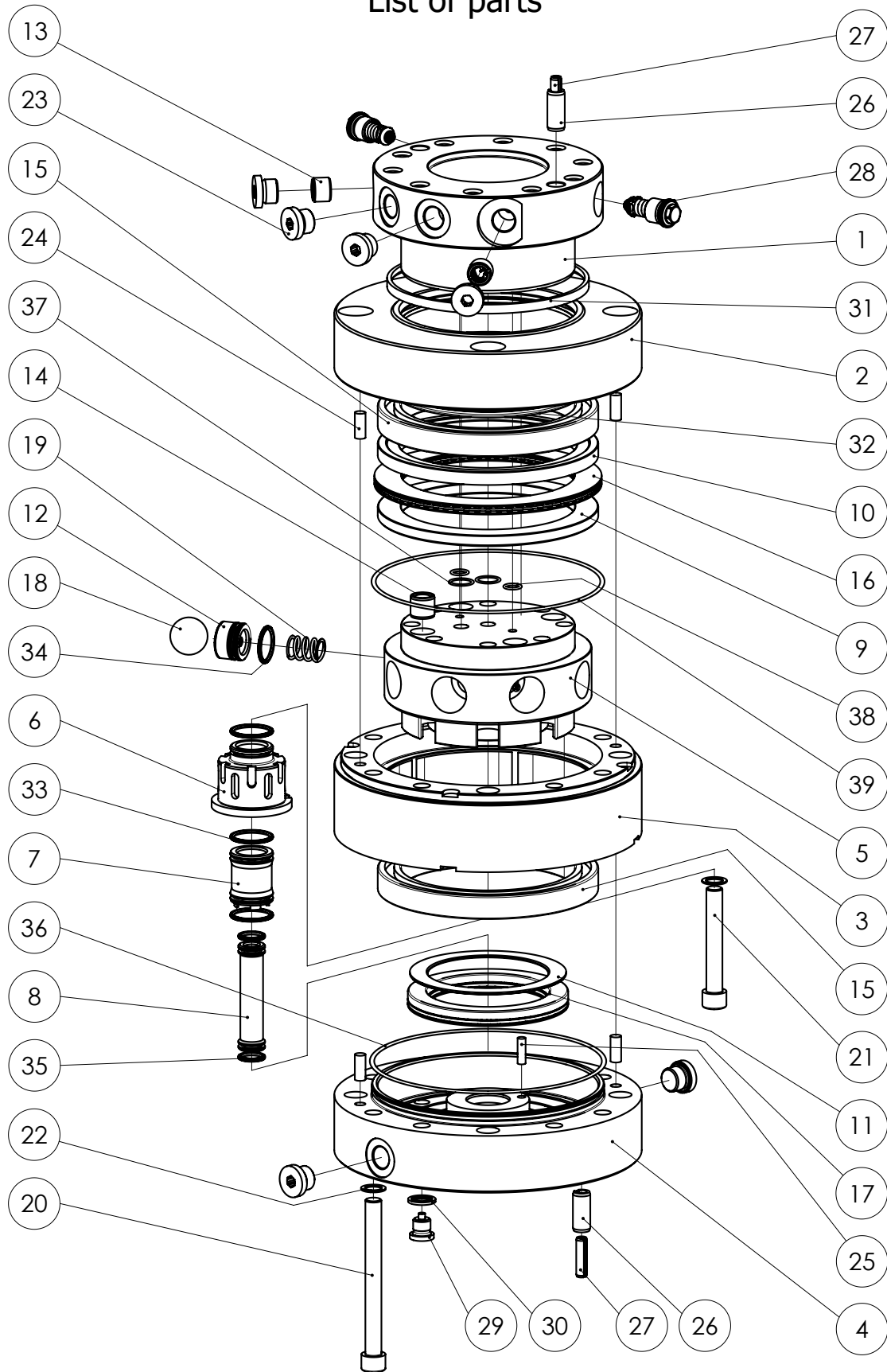
* Relief valves fitted

Sheet 1 of 3

30.08.2018

INDUSTRIAL ROTATOR CPR5

List of parts



INDUSTRIAL ROTATOR **CPR5**

List of parts

Pos.	Part	Title	Quantity	Notes
1	CPR5-03.001	Connector	1	
2	CPR5-03.002	Cover	1	
3	CPR5-03.003	Stator frame	1	
4	CPR5-03.004	Housing	1	
5	CPR5-03.005	Rotor	1	
6	CPR5.006	Spool valve	1	
7	CPR5.007	Inlet	1	
8	CPR5.008	Snorkel	1	
9	CPR5-03.015	Ring	1	
10	CPR5-03.016	Ring	1	
11	GR16.020	Shim	1	
12	CPR8.200	Piston	8	
13	CPR5.100	Throttle valve	2	
14	GIR12.012	Locating pin	4	
15	G2133-00016	Bearing	2	
16	G2131-00047	Bearing	1	
17	G2131-00003	Bearing	1	
18	G2135-00001	Ball	8	
19	G209.11020	Spring	8	
20	M2305-00014	Screw	8	
21	M2305-00020	Screw	8	
22	M2306-00003	Washer	16	
23	M2601-00016	Plug	6	
24	M2307-00008	Pin	4	
25	M2307-00010	Pin	1	
26	M2307-00003	Pin	4	
27	M2307-00002	Pin	4	
28	M2607-00000	Relief valve	2	
29	M2604-00000	Magnetic plug	1	
30	M2602-00002	Bonded seal	1	
Seal kit				
31	G1023-00004	Scraper	1	
32	G1021-00028	Glide ring	1	
33	G1021-00010	Glide ring	3	
34	G1021-00004	Glide ring	8	
35	G1021-00011	Glide ring	2	
36	G1024-00051	O-ring	1	
37	G1024-00024	O-ring	2	
38	G1024-00002	O-ring	2	
39	G1024-00007	O-ring	1	

30.08.2018 Sheet 3 of 3